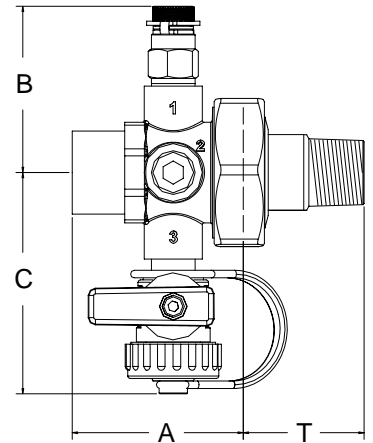


Model US is a full port union supplied with a Pressure/Temperature test port and hose end drain valve. Available with multiple combinations of end connection types and sizes.

SPECIFICATIONS

| | |
|----------------------|---|
| Pressure Ratings: | 600 PSI (4140 kPa) |
| Temperature Ratings: | 250F (120C) |
| Body Material: | Forged Brass |
| End Connections: | Brass - Fixed End: SWT, FNPT; Union End: SWT, FNPT, & MNPT |
| Seals: | EPDM |
| Available Options: | “PTV” combination PT & air vent, port extensions. |



NOMINAL DIMENSIONS & WEIGHTS

| Size | | A | | | B | C | *T MPT | Wgt | | |
|--------|----|------|-------|-------|-------|-------|-----------|-------|------|------|
| in | mm | FNPT | MNPT | SWT | | | | lbs | kg | |
| 1/2" | 15 | in | 1.99 | 2.25 | 1.88 | 1.83 | 2.52 | 1.50 | 1.08 | 0.49 |
| | | mm | 50.47 | 57.23 | 47.68 | 46.45 | 63.96 | 38.10 | | |
| 3/4" | 20 | in | 2.04 | 2.19 | 2.12 | 2.06 | 2.74 | 1.56 | 1.39 | 0.63 |
| | | mm | 51.82 | 55.65 | 53.90 | 52.32 | 69.57 | 39.70 | | |
| 1" | 25 | in | 2.15 | 2.38 | 2.28 | 2.06 | 2.74 | 1.80 | 1.52 | 0.69 |
| | | mm | 54.56 | 60.40 | 57.85 | 52.32 | 69.57 | 45.72 | | |
| 1-1/4" | 32 | in | 2.39 | 2.82 | 2.56 | 2.44 | 3.13 | 1.80 | 2.60 | 1.18 |
| | | mm | 60.63 | 71.53 | 65.05 | 62.00 | 79.50 | 45.72 | | |
| 1-1/2" | 40 | in | 2.39 | 2.84 | 2.69 | 2.44 | 3.13 | 1.80 | 2.93 | 1.33 |
| | | mm | 60.63 | 72.16 | 68.35 | 62.00 | 79.50 | 45.72 | | |
| 2" | 50 | in | 2.49 | 2.96 | 3.03 | 2.75 | 3.43 | 1.98 | 4.00 | 1.82 |
| | | mm | 63.30 | 75.26 | 76.96 | 69.77 | 87.02 | 50.17 | | |

* Please reference the tailpiece data sheet (Form # FP-TP) for other sizes and connections.
Dimensions not for construction purposes unless certified by factory.

STANDARD COMPONENTS



Pressure/Temperature test port with brass body, dual durometer EPDM core, brass cap with O-ring seal and neoprene retainer strap. Accepts standard 1/8" (4mm) gauge adapter or thermometer stem. Rated to 500 PSI (3450 kPa) and 275°F (135°C).



Drain valve with forged brass body, chrome plated ball, Teflon seats, double EPDM O-ring stem seals, aluminum handle, 3/4" hose connection with cap and plastic retainer strap. Rated to 600 PSI (4140 kPa) WOG and 250°F (120°C).

Please reference Flo-Pac data sheet (Form # FP-ACC) for optional accessories.

ORDER DESIGNATIONS

| | | | | | | | |
|------------|----|-------|-----|-------|-----|------|----------------------|
| | US | - 075 | - S | - 050 | - M | - XX | |
| Model | | | | | | | Accessories |
| Body Size | | | | | | | Tailpiece Conn. Type |
| Conn. Type | | | | | | | Tailpiece Conn. Size |

Please reference the Ordering Guide (Form # FP-OG) for a complete list of designations

Flo-Pac, LLC.
10545 Guilford Road, Unit 103
Jessup, Maryland 20794
www.flo-pacllc.com