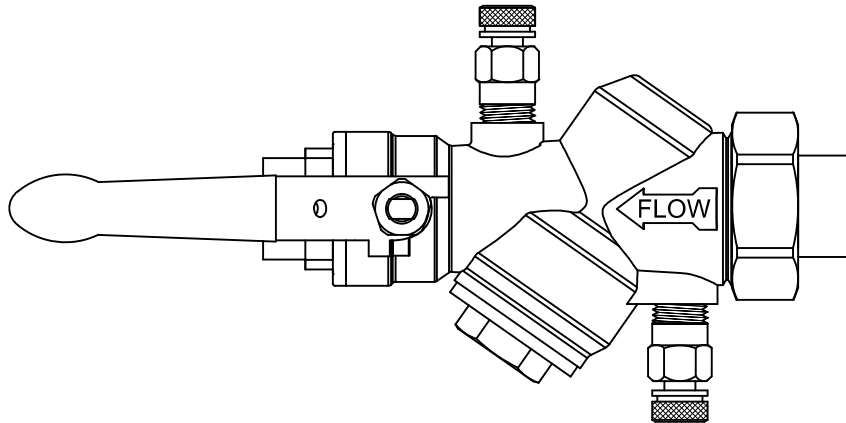


Flo-Pac

SPECIFICATIONS Automatic Flow Limiter w/ Integral Ball Valve

A: AFLI - 1/2" - 1" L
B: AFLI - 1" H - 1 1/2" L



PRODUCT DESCRIPTION: The Flo-Pac AFLI is an Automatic Flow Limiting device, union end by fixed end, with an integral full port ball valve, rated at 600 WOG @ 250°F. The AFLI is supplied with a stainless steel flow limiting cartridge that can be removed for cleaning, inspection, and cartridge exchange, if necessary. The AFLI comes standard with two pressure/temperature ports and a hanging ID tag for easy identification. The fixed end system or, pipe run-out side, is available in SWT or NPTF. The union side connections available include NPTM, NPTF, SWT, and a variety of reductions.

STADARD MATERIAL SPECIFICATIONS		STANDARD OPERATING SPECIFICATIONS	
Body	Forged Brass ASTM B283-06	Control Range:	2 psi - 60+ psi
O-Ring	EPDM	Accuracy:	±5%
Tail Piece	Brass ASTM B124-09, B228-06, or B763-08A	Max Working Pressure:	600 WOG
Flow Cartridge	ASTM A582 Type 303 Stainless Steel	Max Operating Temperature:	-4°F (-20°C) TO 250°F (121°C)
Diaphragm	EPDM	Start-Up Head Loss:	5 Feet of H ₂ O
Spring	Stainless Steel		
PT Port	EPDM Dual Durometer Core		
Ball Valve	Forged Brass ASTM B283-06		
Stem	Brass ASTM B124-09 - Explosion Proof		
Ball	Chrome Plated Brass - Full Port		
Ball Seat	Teflon		
Handle	Chrome Plated Steel		

Valve Size	Flow Rates (GPM)*																Control Range 2 - 60+ PSID											
	A	B	C	D	E	F	G	H	I	J	K	L	M	N	O	P	Q	R	S	T	U	V	W	X	Y	Z		
A 1/2" - 1" L	.33	.50	.75	1	1.25	1.5	1.75	2	2.25	2.5	2.75	3	3.5	4	4.5	5	5.5	6	6.5	7	7.5	8	9	10	11	12		
B 1"H - 1 1/2" L	5	5.5	6	6.5	7	8	9	10	12	13	14	15	16	18	20	22	24	26	28	30	32	34	36	38	40	42		

* Custom flow rates can be calibrated at the factory for an additional charge.

PRODUCT SPECIFICATIONS:

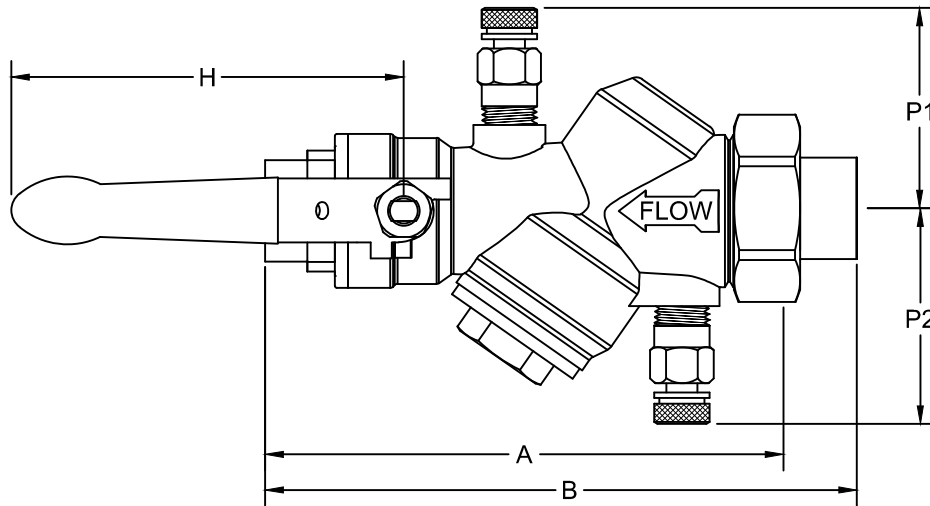
- Flow measurement capability for problematic systems, high performance coils, or projects where verifiable sustainable energy savings is desirable
- Stainless steel construction on all flow cartridge wear surfaces
- Static orifice design that maximizes the size of the flow orifice across large pressure differentials
- Large operational differential range across the flow cartridge
- Provides continual flow at differential pressures above design limits
- Removable cartridge for cleaning or exchange if required
- Flushing through the cartridge body in case debris gets inside the cartridge (optional drain/flush valve available)
- Low start-up pressure to operate with low energy requirements

US Patent Pending.

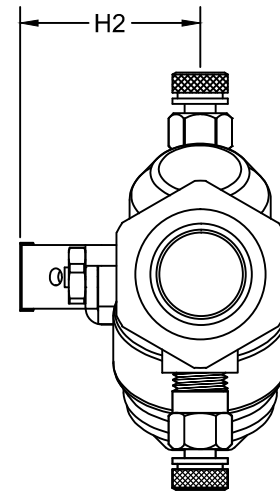
Flo-Pac

DIMENSIONS Automatic Flow Limiter w/ Integral Ball Valve

A: AFLI - 1/2" - 1" L
B: AFLI - 1" H - 1 1/2" L



AFLI SIZE AND TYPE	A	TAIL PIECE	B	P1	P2	H	H2
1/2" SWT	4.66	1/2" - M	6.22	2.09	2.24	3.60	1.85
		- F	5.31				
		- S	5.31				
1/2" FPT	4.72	1/2" - M	6.28	2.09	2.24	3.60	1.85
		- F	5.37				
		- S	5.37				
3/4" SWT	4.90	1/2" - M	6.46	2.09	2.24	3.60	1.85
		- F	6.00				
		- S	5.65				
		3/4" - M	6.66				
		- F	5.70				
- S	5.69						
3/4" FPT	4.83	1/2" - M	6.39	2.09	2.24	3.60	1.85
		- F	5.93				
		- S	5.58				
		3/4" - M	6.59				
		- F	5.63				
- S	5.62						
1" SWT	5.06	1/2" - M	7.06	2.09	2.24	3.60	1.85
		3/4" - M	7.06				
		- S	5.91				
		1" - M	7.06				
		- F	5.96				
- S	6.07						
1" FPT	5.02	1/2" - M	7.02	2.09	2.24	3.60	1.85
		3/4" - M	7.02				
		- S	5.87				
		1" - M	7.02				
		- F	5.92				
- S	6.03						



Note: All dimensions, weights, and materials are subject to minor variations. Consult with factory for confirmation of dimensions, weights, and material specifications.
Sweat size listed is nominal and will differ from the actual, measurable size.

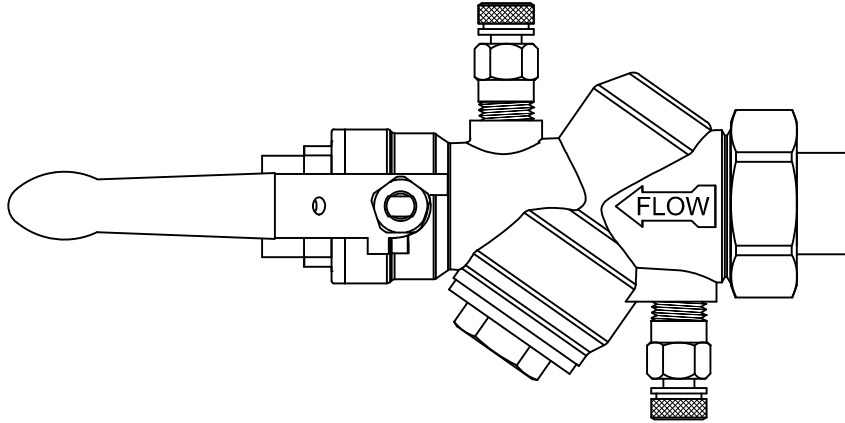
Flo-Pac

SUBMITTAL

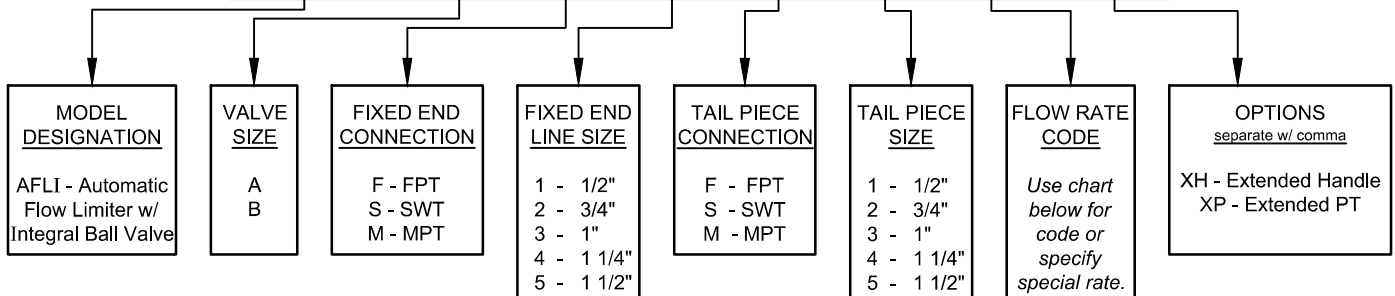
Automatic Flow Limiter w/ Integral Ball Valve

A: AFLI - 1/2" - 1" L

B: AFLI - 1" H - 1 1/2" L



AFLI - X - X - X - X - X - X - XX,



Valve Size	Flow Rates (GPM)*																				Control Range 2 - 60+ PSID					
	A	B	C	D	E	F	G	H	I	J	K	L	M	N	O	P	Q	R	S	T	U	V	W	X	Y	Z
A 1/2" - 1"L	.33	.50	.75	1	1.25	1.5	1.75	2	2.25	2.5	2.75	3	3.5	4	4.5	5	5.5	6	6.5	7	7.5	8	9	10	11	12
B 1"H - 1 1/2" L	5	5.5	6	6.5	7	8	9	10	12	13	14	15	16	18	20	22	24	26	28	30	32	34	36	38	40	42

* Custom flow rates can be calibrated at the factory for an additional charge. Unless confirmed as special, flow rates will default to standard flow rate.

JOB NAME:	CUSTOMER:
ENGINEER:	REF/PO#:
CONTRACTOR:	SUBMITTED BY:
	DATE:
	DATE:

PART # (See table above)	TAGGING/JOB INFORMATION	GPM	QUANTITY